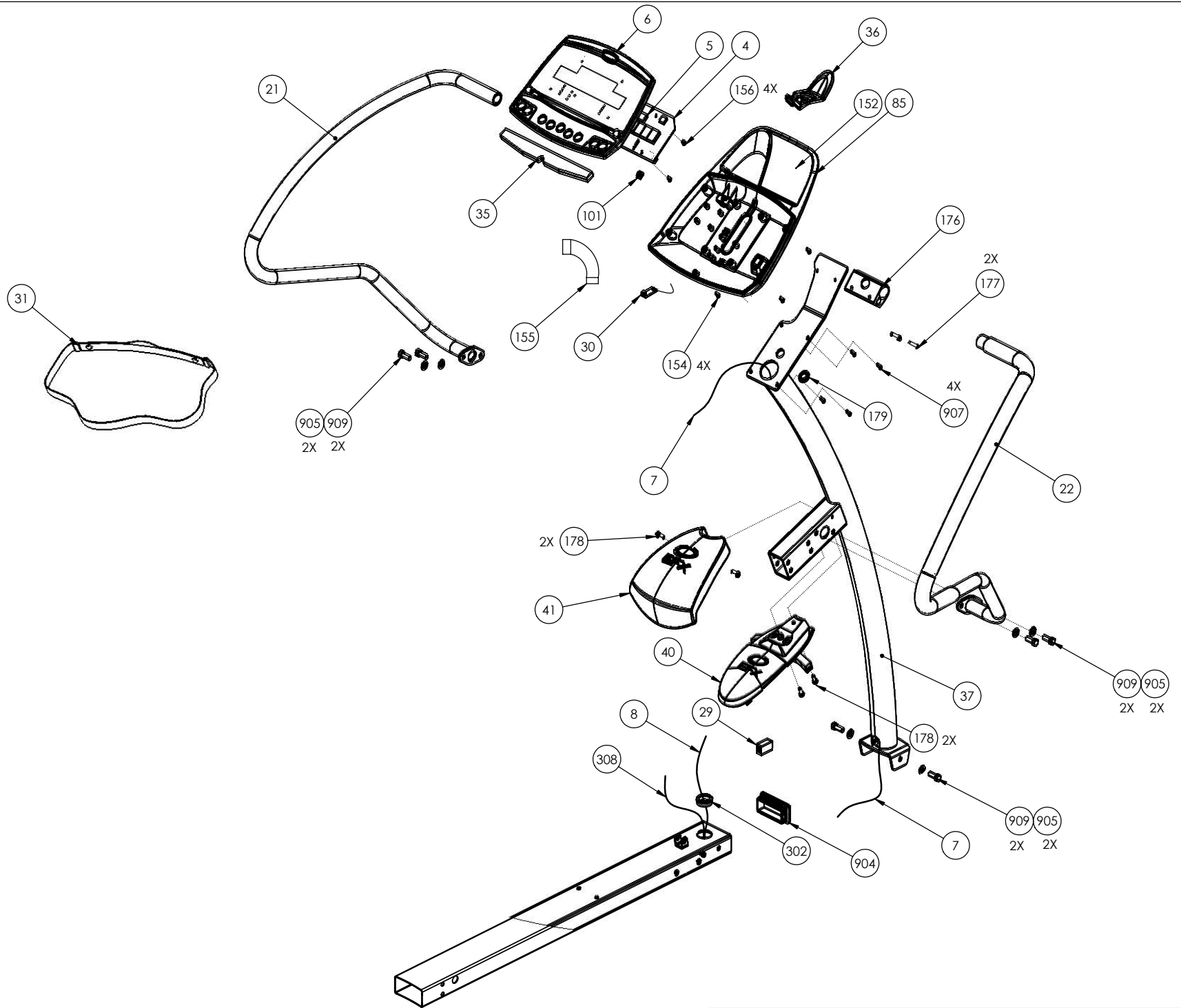
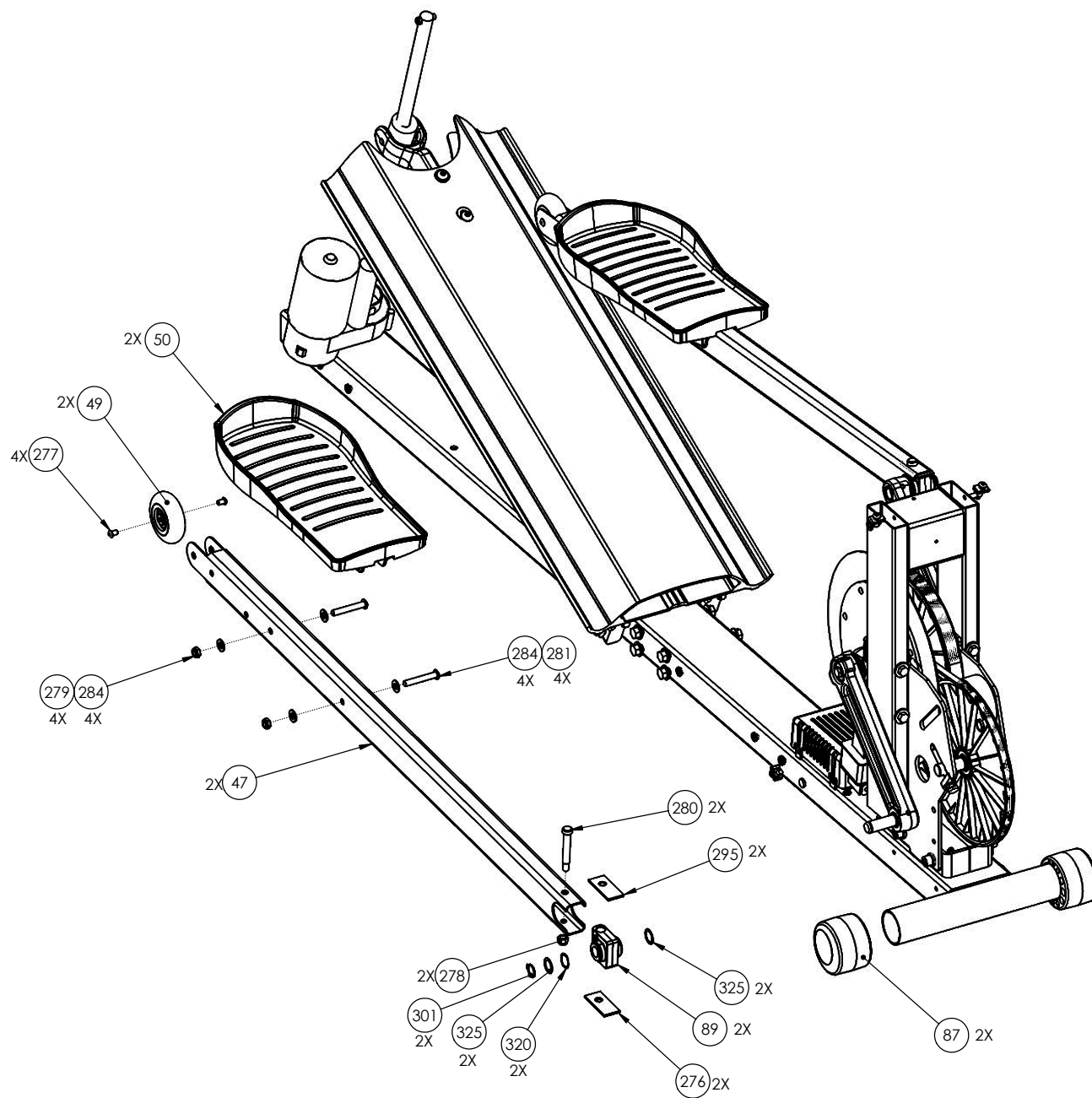


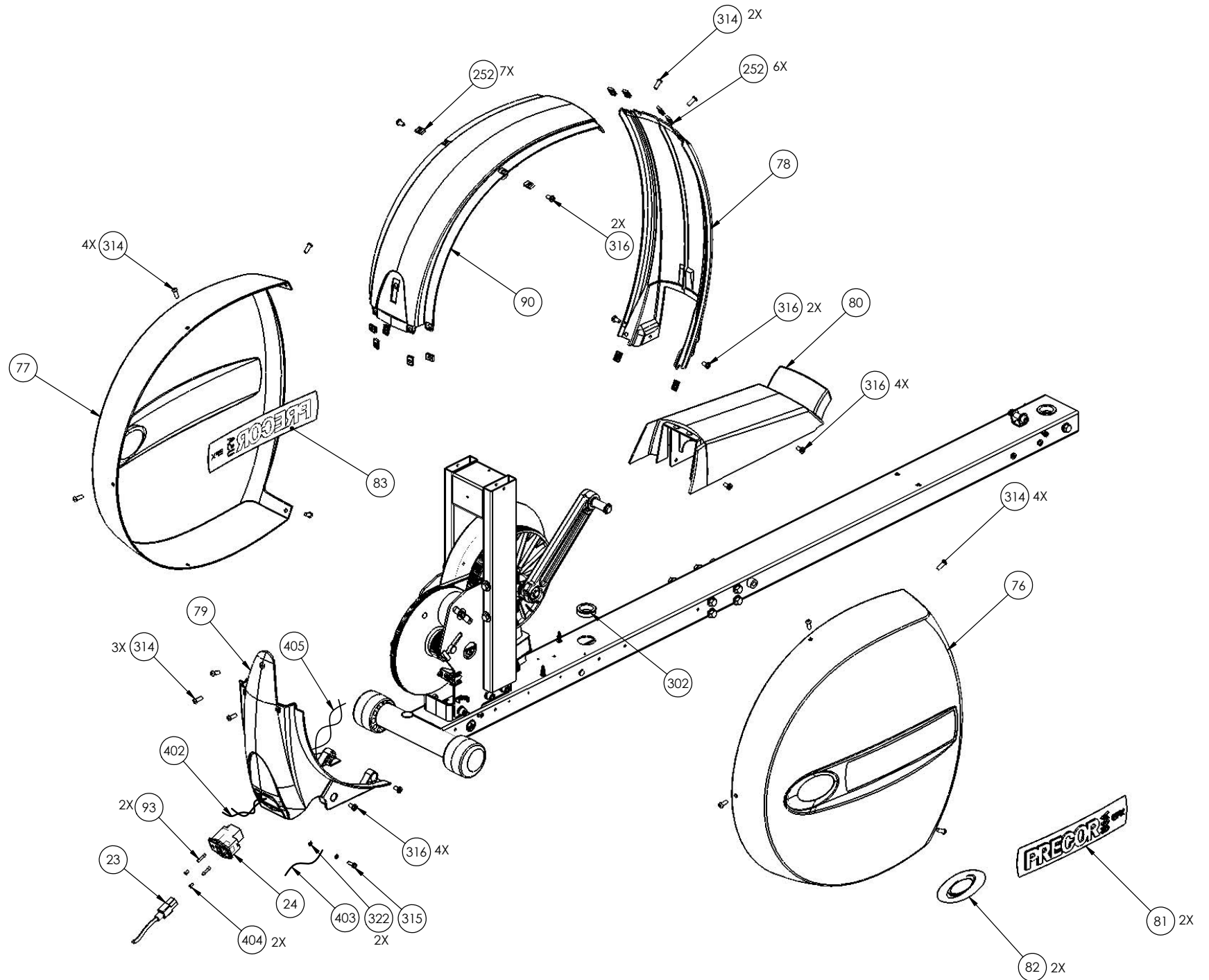
5.23	P/N : 48224-101	SUBREV : C
DRAWN BY : GRANADOSIN	DATE : 07.26.05	SHEET 1 OF 6



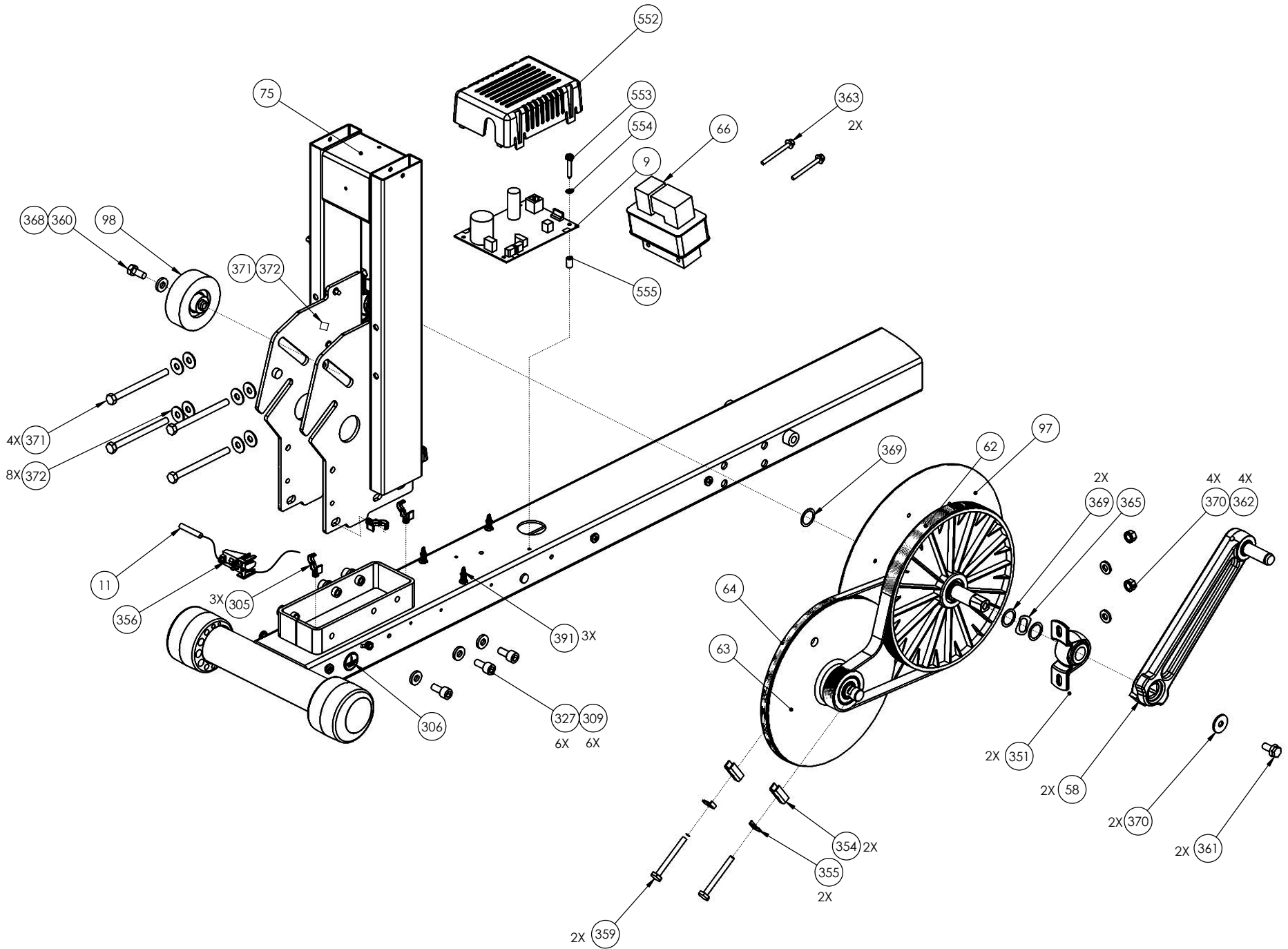
5.23	P/N : 48224-101	SUBREV : C
DRAWN BY : GRANADOSIN	DATE : 07.26.05	SHEET 2 OF 6



5.23	P/N : 48224-101	SUBREV : C
DRAWN BY : GRANADOSIN	DATE : 07.26.05	SHEET 4 OF 6



5.23	P/N : 48224-101	SUBREV : C
DRAWN BY : GRANADOSIN	DATE : 07.26.05	SHEET 5 OF 6



5.23	P/N : 48224-101	SUBREV : C
DRAWN BY : GRANADOSIN	DATE : 07.26.05	SHEET 6 OF 6

5.23 (serial code AA23)

Part Number	Description	Bubble Number
47687-102	WELDMENT, LOWER FRAME, RETAIL EFX,	1
48333-103	ASSY, UPPER PCA & SW, 5.23-T3 (NEW	4
47757-101	ASSY,DISPLAY,TOUCHSENSOR,5.23, T3,S	6
44905-084	ASSY,CBL,MOD,8P8C,1-1,84"	7
44905-072	ASSY,CBL,MOD,8P8C,1-1,72"	8
47495-132	PCA, EFX, LOWER, SERIAL W/LIFT	9
48061-501	ASSY, PCA & SW, EFX 5.23, VW LIFT,	9.01
44440-023	ASSEMBLY, REED SWITCH, 23"	11
44442-204	ACTUATOR, LIFT,CALIBRATED, W/O NUT	16
44491-105	ASSY, HANDLEBAR, LEFT, 5.23/5.21I,	21
44491-106	ASSY, HANDLEBAR, RIGHT, 5.23/5.21I,	22
10392-111	POWER CORD,125VAC,10A,8.0 FT	23
12167-102	PWR ENTRY MOD & FILTER,250VAC,3A	24
45199-202	IC,CPU,PGMD,EFX5.23,LWR,V2.02	27
11415-101	COUPLER,MOD,8P8C,INLINE	29
48026-101	RECEIVER, WIRELESS, HEART RATE, POL	30
38819-102	TRANSMITTER, HEARTRATE,W/STRAP	31
43329-102	WIRE FORM,PLASTIC,COMMERCIAL	36
44487-102	WELDMENT, ARC TUBE, THREADED, 5.23,	37
44379-102	COVER,FRONT,RIGHT,STONE GRAY	38
44454-102	COVER, FRONT, LEFT, STONE GRAY	39
44555-103	ASSY, EFX COVER, FRONT, TOP, STONE	40
44384-102	COVER, UPPER MOUNT, RETAIL EFX, STO	41
44318-106	WELDMENT, MAIN TUBE, RIGHT, RETAIL	42
44318-105	WELDMENT, MAIN TUBE, LEFT, RETAIL E	43
44489-102	ASSY, RAMP, 5.23/5.21I	44
44333-103	ASSY, RAMP, LIFT BRKT, RETAIL EFX	45
45517-103	ASSY, LIFT NUT AND YOKE	46
44344-206	STAIRARM RAIL,5.23 EFX,PT	47
48337-101	ASSY, STAIRARM WHEEL, CONSUMER EFX,	49
37314-108	PEDAL, FOOT	50
44363-103	ASSEMBLY, CRANK ARM, RETAIL, W/PRES	58
10217-130	BELT, DRIVE, POLY V (DAYCO 27-0628)	62
44301-101	ASSY, STEP-UP PULLEY,RETAIL EFX,5X3	63
10217-131	BELT, DRIVE, POLY V (DAYCO 27-0627)	64
47888-101	ELECTROMAGNET,EC BRAKE,.093" 2 POS	66
47549-101	WELDMENT, DRIVE, EFX, PAINTED	75
43606-117	ASSY, EFX COVER, RIGHT RETAIL, STON	76
43606-115	ASSY, EFX COVER, LEFT, 5.23, STONE	77
44479-102	ASSY, FRONT PANEL, EFX COVER, REAR,	78
43707-103	SUPPORT, REAR COVER,STONE GRAY	79
43840-102	WEDGE, REAR COVER, EFX,STONE GRAY	80
47891-101	LABEL, EFX COVER, REAR, PRECOR BLUE	81
47355-101	LABEL, EFX LOGO, REAR COVER, DURO-L	82
47534-101	LABEL, WIRING DIAGRAM, 5.21I	83
47544-101	LABEL, WIRING DIAGRAM, 5.23	83
43179-104	BACKPLATE, DISPLAY, COMMERCIAL ,STO	85
11406-103	FOOT, LEVELER, RUBBER BASE, 1.5"LG	86
37534-102	FOOT, ADJUSTABLE	87
37535-102	FOOT, FIXED	88

38301-101	ASSY,PIVOT BLOCK	89
44480-103	ASSY, TOP PANEL, EFX COVER, REAR	90
12223-250	FUSE, TIME-DELAY, 2.5A, 250V, 5X20MM	93
12223-400	FUSE, TIME-DELAY, 4A, 250V, 5X20MM	93
11075-105	FUSE, 2.00A, 250VAC, SLOW, RADIAL	94
44300-103	ASSY, DRIVE INPUT, RETAIL	97
38320-103	IDLER, PULLEY	98
12264-101	RJ-45 TELEPHONE JACK PLUG	101
10123-102	CABLE TIE, 3-7/8 LONG, WHITE, NYL	151
47528-103	LABEL, ACCESSORY TRAY, ENG, 5.23	152
PMKN016-050	SCREW, TCS, #8X1/2, PHIL, BLK ZN, TYPE25	154
45696-032	ASSY, CBL, FFC, 12COND, 28AWG, 3.2"	155
MGCN016-038	SCREW, MCH, 8-32X3/8, PANHD, PHIL,	156
37499-102	CLAMP, HANDLEBAR, BLACK, PT	176
CAKN025-125	SCREW, SKHD, 1/4-20X1.25, BLK ZN, LK	177
PNKN025-075	SCREW, PANHD, PHIL, TYPEF, 1/4-20X.75, B	178
47718-102	HOLE PLUG, PLASTIC .875 X.13-.18	179
CAKN025-088	SCREW, SKHD, 1/4-20X7/8, BLK ZN, LK	201
11476-102	PIN, RING, LOCKOUT	202
WATNN020-002	WASHER, LK-INT, #10, ID=.200,	203
CBKN019-050	SCREW, SKHD, #10X32X0.50, BLK ZN, LK	204
47546-101	LABEL, CAUTION	251
10136-103	CLIP, U TYPE, TINNEMAN, 1/4-20	252
48340-101	SPACER, RAIL, URETHANE	276
TENE006-010	SCREW, BTTNHD, SKT C/S, M6X1X10MM	277
KDKN031-025	LOCKNUT, HALF, 5/16-18, BLK ZN	278
KAKN031-016	LOCKNUT, HALF, 5/16-18, BLK ZINC	279
RAKN031-200	SCREW, SHLDR, 3/8 X 2, HEX	280
HAKN031-200	SCREW, HEX HD, 5/16-18 X 2, BLK ZN	281
WBKN031-007	WASHER, FLT, 5/16, ID=.344,	284
48340-102	SPACER, RAIL, URETHANE, RED	295
AAHN063-003	RING, RETAINER, 5/8, EXTERNAL	301
10178-112	BUSHING, SNAP	302
12515-101	CLAMP, CABLE, BLACK, RELEASABLE ON	305
33984-101	LABEL, SAFETY, GROUND SYMBOL	306
45109-068	ASSY, CBL, LPCA TO LIFT, 68"	308
CAKN031-075	SCREW, SKHD, 5/16-18X0.75, BLK ZN, LK	309
CBKN016-100	SCREW, SKHD, 8-32X1, BLK ZN	310
CCKN038-150	SCREW, SKHD, 3/8-16X1.50, BLK ZN, LK	311
KACN038-015	LOCKNUT, HALF, 3/8-16, ZN	312
KECN016-019	LOCKNUT, FULL 8-32, ZINC	313
TFKN025-075	SCREW, BTHD, 1/4-20X3/4, BLK ZN	314
PKCN019-075	SCREW, S/T, #10X.75, WSHHXHD, ZN	315
PANKN025-050	SCREW, S/T, #1/4-20X1/2, PANHD, PHIL, BZ	316
RAKN038-125	SCREW, SHLD, 3/8X1-1/4, HEXSC, BLK ZN	317
TCNN038-275	SCREW, BTHD, 3/8-16X 2.75, SS	319
WAGNN062-001	WASHER, WAVE, .87 OD X .62 ID	320
WAGNN048-001	WASHER, WAVE (SSR-0062)	321
WATNN020-002	WASHER, LK-INT, #10, ID=.200,	322
WNNN051-002	WASHER, SHIM, 1/2X3/4X.020THK	324
WNNN063-001	WASHER, FLT, 5/8X.880X.010	325
WPNN038-006	WASHER, FLAT, 3/8 X 1/16 THK,	326

WRCN031-009	WASHER, GRADE 8, 3/8, 13/32 ID, 13/16 OD	327
KDKN038-034	LOCKNUT, FULL, 3/8-16, BLK ZN	328
11245-103	BUSHING, HEAVY DUTY PILLOW BLK	351
37385-101	BRACKET, TENSIONER	354
37855-103	TAB, LOCKING	355
47553-101	RETAINER, SENSOR	356
HACN025-250	SCREW, 1/4-20X2-1/2, HEX, GR 2, ZN	359
HCRN031-075	SCREW, HEX, GR 5, 5/16-18X3/4, SIL ZN	360
HRWE031-075	SCREW, SERRATED FLANGE HD, HEX, NYL	361
KGCN031-027	LOCKNUT, STARWASHER, 5/16-18, 1/2	362
MACN019-200	SCREW, HEX WASHER HEAD, #10-32 X 2.0	363
WAGSN072-001	WASHER, WAVE .105 O.D., .755	365
WNNN032-009	WASHER, FLT, .321X1.00X.090 THK	367
WBANN034-013	WASHER, FLAT, ID=11/32, OD3/4, TH=.125,	368
WNNN076-001	WASHER, SHIM, .75X1.00X.010 THK	369
WRCN031-009	WASHER, GRADE 8, 3/8, 13/32 ID, 13/16 OD	370
HCCN031-400	SCREW, HEX HD, GRADE 5, 5/16-18	371
WHCN031-006	WASHER, .330 ID X.875 OD X.06 THK, Z	372
WBFNN047-002	WASHER, MYLAR, 7/16	380
12531-101	STANDOFF, PCB SUPPORT, BLIND HOLE, SNA	391
37436-101	LABEL, CHASIS NEUTRAL	401
44435-021	ASSY, CBL, 2-COND, 18AWG, 21", QK DISC	402
44437-013	ASSY, CABLE, GND, RING/QK DISC, 13"	403
MNCN013-031	SCREW, MCH, 6-32X5/16, FLTHD, PHIL	404
PKCN019-075	SCREW, S/T, #10X.75, WSHHXHD, ZN	526
WBCN019-005	WASHER, SAE, #10, ZN	527
12529-101	SPACER, #10 X 1/2" LONG, ZN	551
47774-101	COVER, LPCA, 5.X3	552
PKCN019-125	SCREW, S/T, #10X1.25, WSHHXHD, ZN	553
44495-101	KIT, HARDWARE, THREADED, 5.23	901
10186-101	WRENCH, ALLEN, 5/32	902
10186-103	WRENCH, ALLEN, 3/16	903
11311-101	ENDCAP, REC TUBE, BLACK PLASTIC, 50	904
HAKN038-100	SCREW, HEXHEAD, GRADE 2, 3/8-16X1, BLK ZN	905
KPCN031-019	NUT, HEX THIN, 5/16-18, ZN	906
MGKN025-050	SCREW, PANHD, 1/4-20 X .5, BLK ZN	907
TFKN025-075	SCREW, BTHD, 1/4-20X3/4, BLK ZN	908
WBKN038-007	WASHER, FLT, 3/8, ID=.406, BLK ZN	909
48157-102	KIT, LITERATURE, 5.23	999